

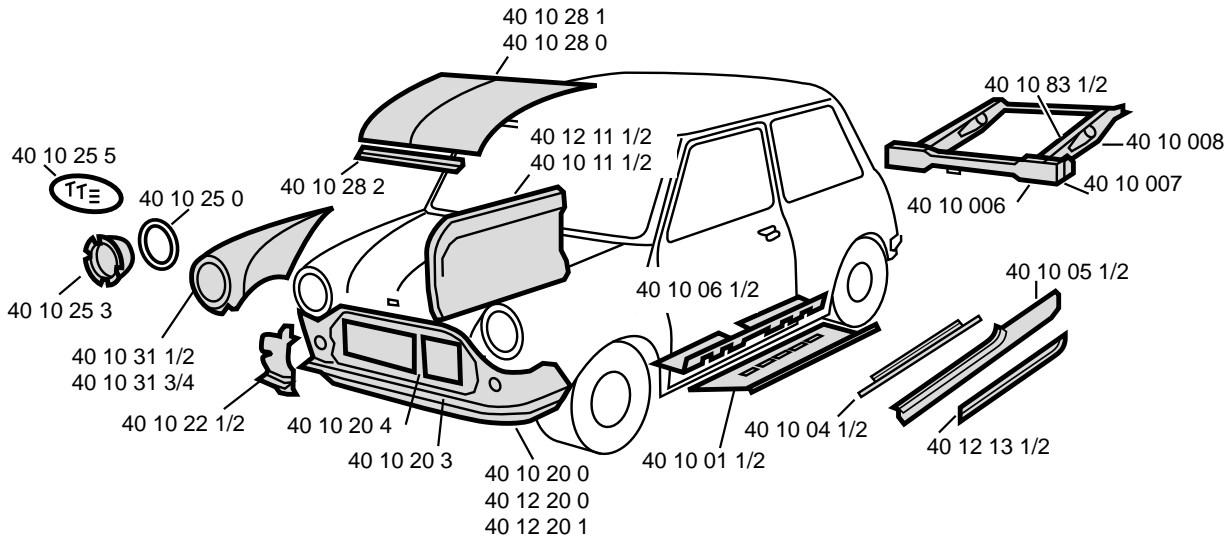
MINI CAR PANELS

RESTORATIVE PARTS SPECIALIST



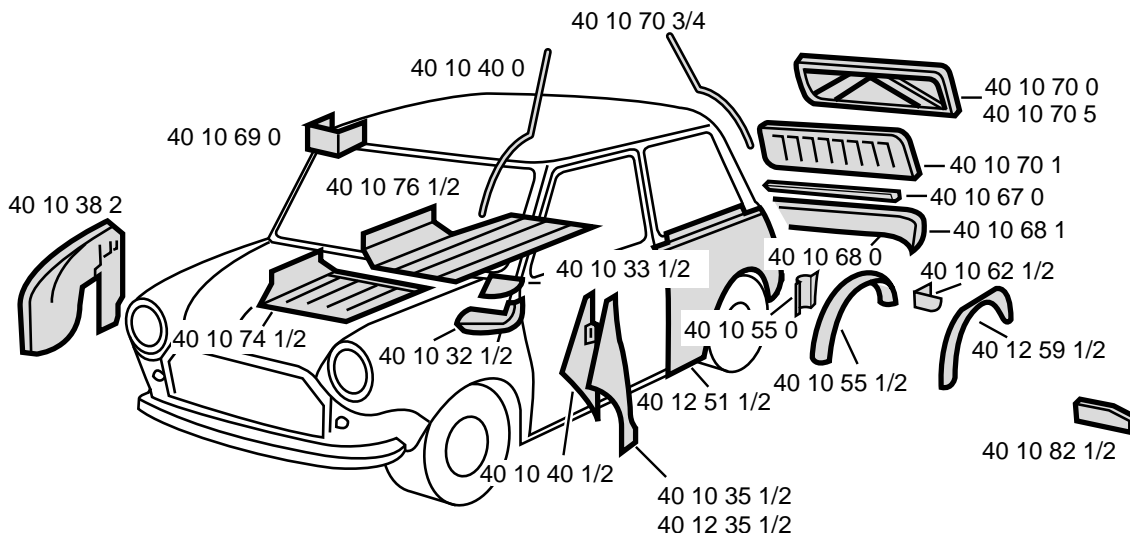
40 10 MINI MKI-II-III

Rear Subframe Wet	40 10 006	Front panel 1977 onwards (Rover mini)	40 12 20 1
Rear Subframe, Dry To 91	40 10 007	Front bumper mounting panel	40 10 20 3
Rear Subframe, Dry 91 Onwards	40 10 008	Front bumper centre strut - 76	40 10 20 4
Full sill, wide, To 1970	40 10 01 1/2	Front lower corner	40 10 22 1/2
Door step basic	40 10 04 0	Headlamp ring	40 10 25 0
Door step section, tailored	40 10 04 1/2	Headlamp bowl, metal	40 10 25 3
Door step & part rear panel	40 10 05 1/2	Adjusting kit for headlamp bowl	40 10 25 5
Inner sill	40 10 06 1/2	Mounting kit for chrome strip for bonnet	40 10 28 2
Door skin, MKI (External Hinges)	40 10 11 1/2	Bonnet, 67 -	40 10 28 0
Door skin MKII / MKIII (Internal Hinges)	40 12 11 1/2	Bonnet with chrome strip support	40 10 28 1
Bottom plate for door inner MKIII only	40 12 13 1/2	Front wing	40 10 31 1/2
Front panel, - 76	40 10 20 0	Front wing 11/85 onw with side repeating light	40 10 31 3/4
Front panel 1976 - 97	40 12 20 0	Subframe bottom repair plate	40 10 83 1/2



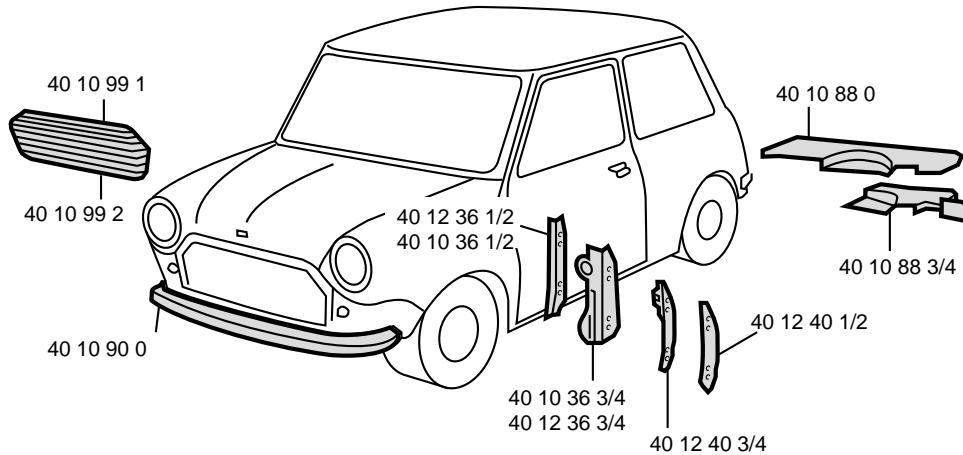
40 10 MINI MKI-II-III

Rear piece below windscreen	40 10 32 1/2	Inner corner section	40 10 62 1/2
Rear piece below windscreen, lower part	40 10 33 1/2	Rear panel, upper part	40 10 67 0
Door hinge panel (External Hinges)	40 10 35 1/2	Rear lower valance	40 10 68 0
Door hinge panel (Internal Hinges)	40 12 35 1/2	Rear lower valance & foglamp fixings	40 10 68 1
Inner front wing O/S	40 10 38 2	Battery box	40 10 69 0
Inner front wing N/S	40 10 38 1	Rear finishing strip	40 10 70 3/4
Front finishing strip	40 10 40 0	Boot lid	40 10 70 0
Inner door hinge panel MKI only	40 10 40 1/2	Boot lid	40 10 70 1
Rear suspension top	40 10 55 0	Boot lid outer skin only	40 10 70 5
Inner rear wing + suspension panel	40 10 55 1/2	Front floor well	40 10 74 1/2
Inner rear wing suspension panel back section	40 10 55 3/4	Rear floor well	40 10 76 1/2
Inner rear wing suspension panel top section	40 10 55 5/6	Sub frame mounting panel	40 10 82 1/2
Rear wheel arch MkIII only	40 12 59 1/2	Rear wing, MKIII only	40 12 51 1/2



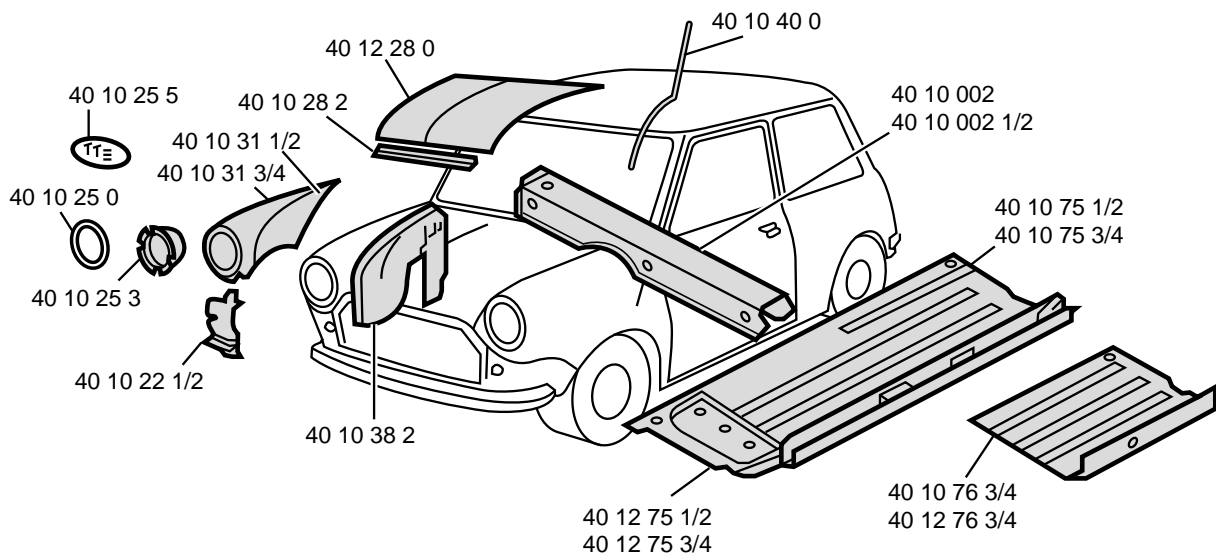
40 10 MINI MKI-II-III

Panel behind door jamb MKI only	40 10 36 1/2	Boot floor repair panel	40 10 88 0
Panel behind door jamb MKII & MKIII	40 12 36 1/2	Boot floor and side panel	40 10 88 3/4
Panel behind door jamb & part inner wing	40 10 36 3/4	Front and rear bumper, chrome	40 10 90 0
Panel behind door jamb & part inner wing	40 12 36 3/4	Grille, chrome, Mini Cooper	40 10 99 1
Door jamb MKIII & III	40 12 40 1/2	Grille, chrome, MKIII	40 10 99 2
Door Jamb & check strap bracket MKIII & III	40 12 40 3/4		



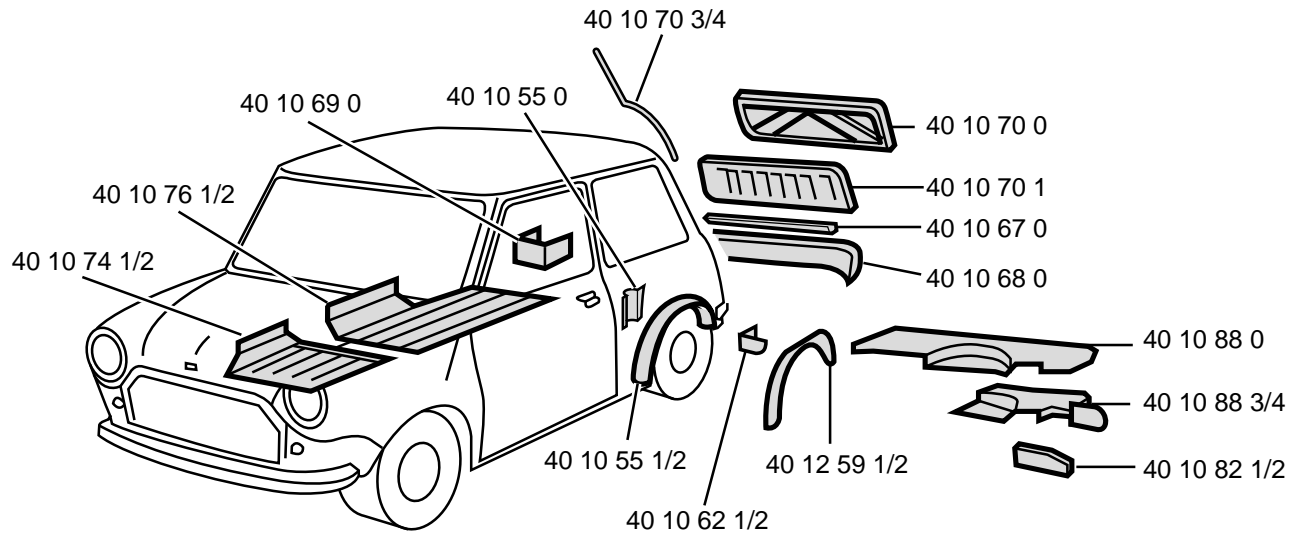
40 10 MINI MKI-II-III

Centre cross member 70 onx	40 10 002	Repair piece below windscreen	40 10 32 1/2
Half centre cross member 70 onw	40 10 002 1/2	Repair piece below windscreen, lower part	40 10 33 1/2
Front lower corner	40 10 22 1/2	Inner front wing O/S	40 10 38 2
Headlamp ring	40 10 25 0	Front finishing strip	40 10 40 0
Headlamp bowl, metal	40 10 25 3	Rear floor full length to 1992	40 10 76 3/4
Adjusting kit for headlamp bowl	40 10 25 5	Rear floor full length 1992 onw	40 12 76 3/4
Mounting rail for chrome strip for bonnet	40 10 28 2	Full floor half to 70	40 10 75 1/2
Bonnet 1997 onwards	40 12 28 0	Floor assembly to 70	40 10 75 3/4
Front wing	40 10 31 1/2	Full floor half 70-94	40 12 75 1/2
Front wing c/w repeater lamp holes	40 10 31 3/4	Half floor assembly 70-94	40 12 75 3/4



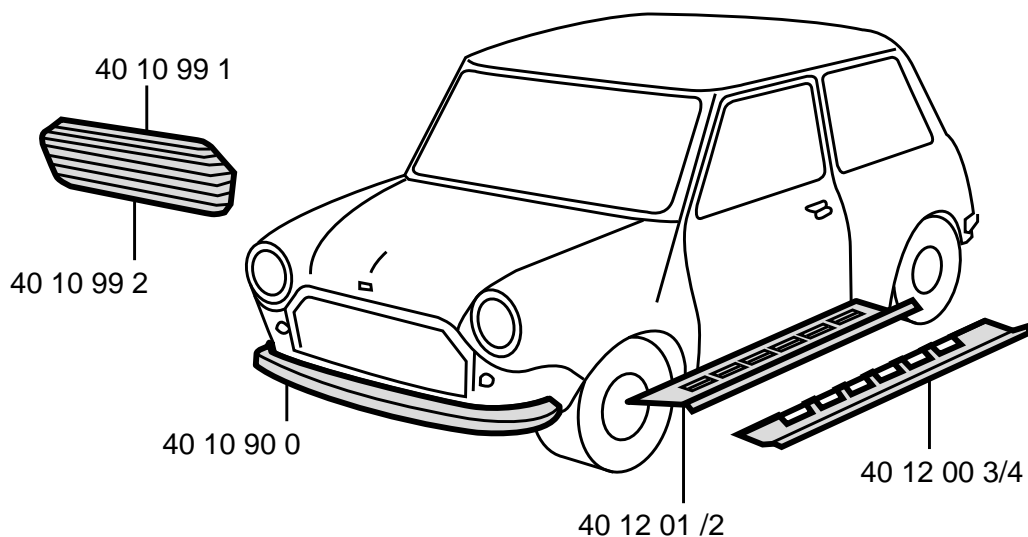
40 10 MINI MKI-II-III

Rear suspension top	40 10 55 0	Boot lid open frame	40 10 70 0
Inner rear wing complete	40 10 55 1/2	Boot lid closed frame	40 10 70 1
Rear wheel arch, MKIII only	40 12 59 1/2	Front footwell	40 10 74 1/2
Inner corner for rear panel	40 10 62 1/2	Rear footwell	40 10 76 1/2
Rear panel, upper part	40 10 67 0	Sub frame mounting panel	40 10 82 1/2
Rear lower valance	40 10 68 0	Boot floor repair panel	40 10 88 0
Battery box	40 10 69 0	Boot floor and side panel	40 10 88 3/4
Rear finishing strip	40 10 70 3/4		



40 10 MINI MK III / CLUBMAN / MINI 1997 ONW

Front and rear bumper, chrome	40 10 90 0
Grille, chrome, Mini Cooper	40 10 99 1
Grille, chrome	40 10 99 2
Sill wide MK II & III 70 onw	40 12 01 1/2
Sill as original 70 onw	40 12 00 3/4

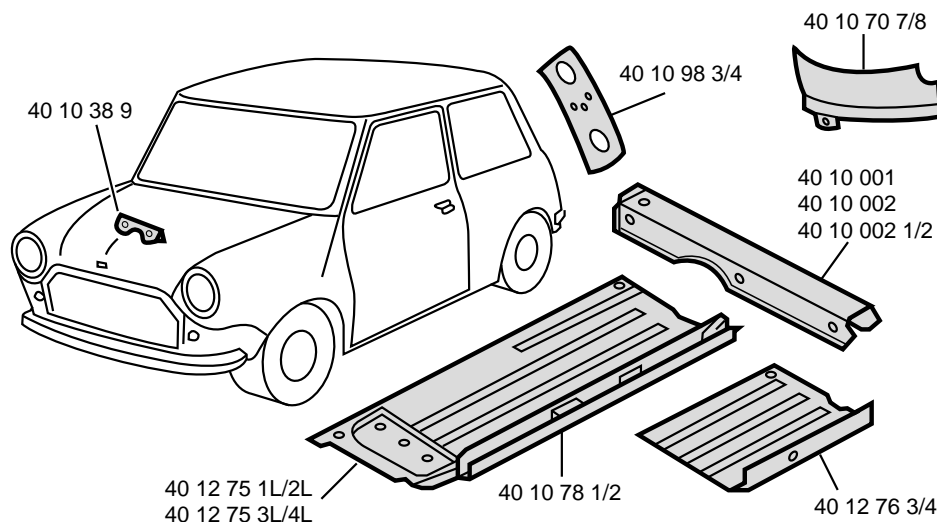


40 10 MINI MK I-II-III

Centre crossmember to 1970
 Centre crossmember 1970 onw
 Half centre crossmember 1970 onw
 Engine stabilizer
 Rear lower corner

40 10 001 Jacking point support
 40 10 002 Adaptor to fit MK1 rear lights to MK2/3
 40 10 002 1/2 Half floor injection 1994 onw
 40 10 38 9 Half floor injection assembly 1994 onw
 40 10 70 7/8 Rear floor full length 1970 onw

40 10 78 1/2
 40 10 98 3/4
 40 12 75 1L/2L
 40 12 75 3L/4L
 40 12 76 3/4

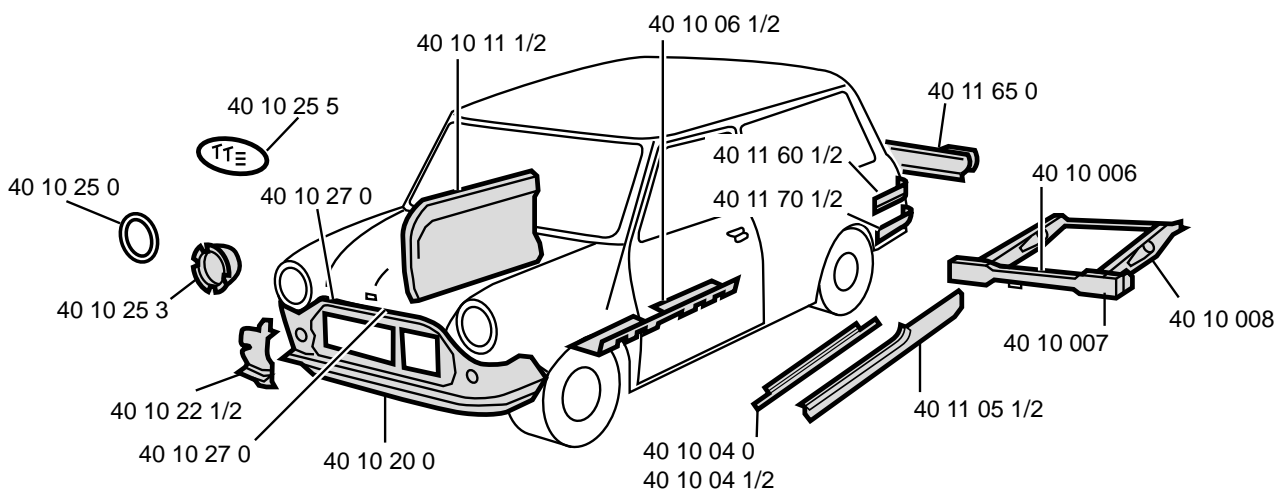


40 10 MINI VAN / TRAVELLER

Door step & part rear panel
 Rear upper corner
 Rear panel, van & estate
 Rear lower corner
 Rear subframe, wet
 Rear subframe, dry
 Rear subframe, dry 91 onw
 Door step section
 Door step section, complete

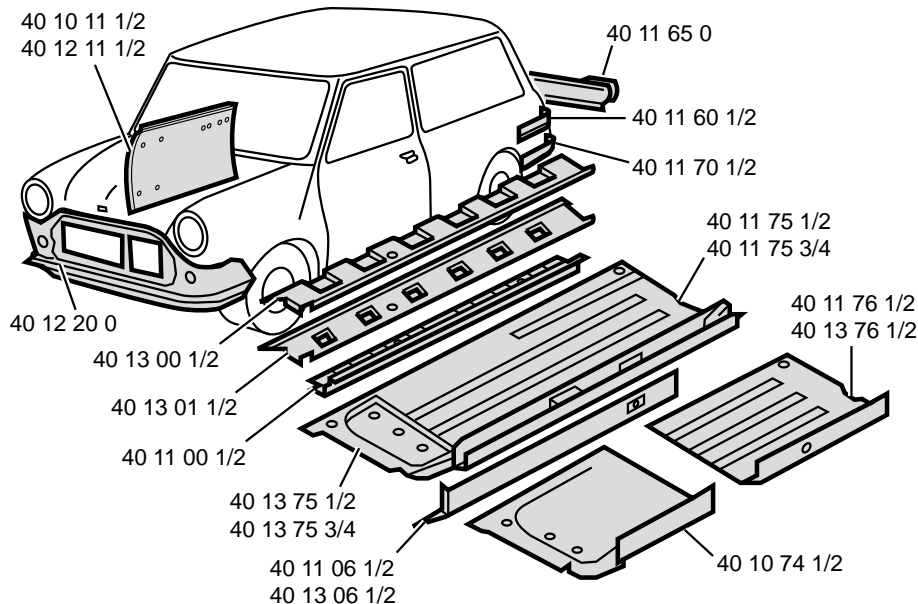
40 11 05 1/2 Inner sill
 40 11 60 1/2 Door skin, MK1
 40 11 65 0 Front panel not van - 76
 40 11 70 1/2 Front lower corner
 40 10 006 Headlamp ring
 40 10 007 Headlamp bowl, metal
 40 10 008 Adjusting kit for headlamp bowl
 40 10 04 0 Slam panel
 40 10 04 1/2 Slam panel

40 10 06 1/2
 40 10 11 1/2
 40 10 20 0
 40 10 22 1/2
 40 10 25 0
 40 10 25 3
 40 10 25 5
 40 10 27 0



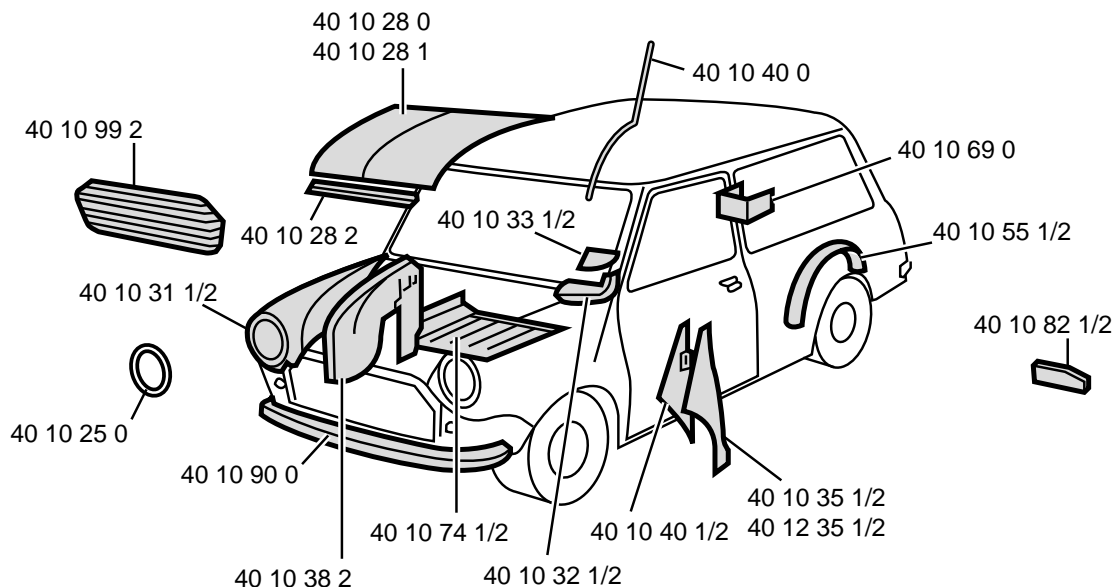
40 10 MINI MK I-II VAN / TRAVELLER / CLUBMAN

Door skin MK1/2 to 70	40 10 11 1/2	Half floor to 1970	40 11 75 1/2
Door skin MK3 70 on	40 12 11 1/2	Half floor assembly to 1970	40 11 75 3/4
Rear side lower corner	40 11 60 1/2	Inner sill full length to 1970	40 11 06 1/2
Rear valance	40 11 65 0	Inner sill full length 1970 on	40 13 06 1/2
Side rear valance	40 11 70 1/2	Rear floor full length to 1970	40 11 76 1/2
Sill van as original MKII	40 13 00 1/2	Half floor 1970 on	40 13 75 1/2
Wide van/Traveller sill MKII	40 13 01 1/2	Half floor assembly 1970 on	40 13 75 3/4
Sill Van Clubman MKI	40 11 00 1/2	Rear floor full length 1970 on	40 13 76 1/2
Front panel Traveller only, MK III only saloon	40 12 20 0	Mini front floorwell (restoration type)	40 10 74 1A/2B



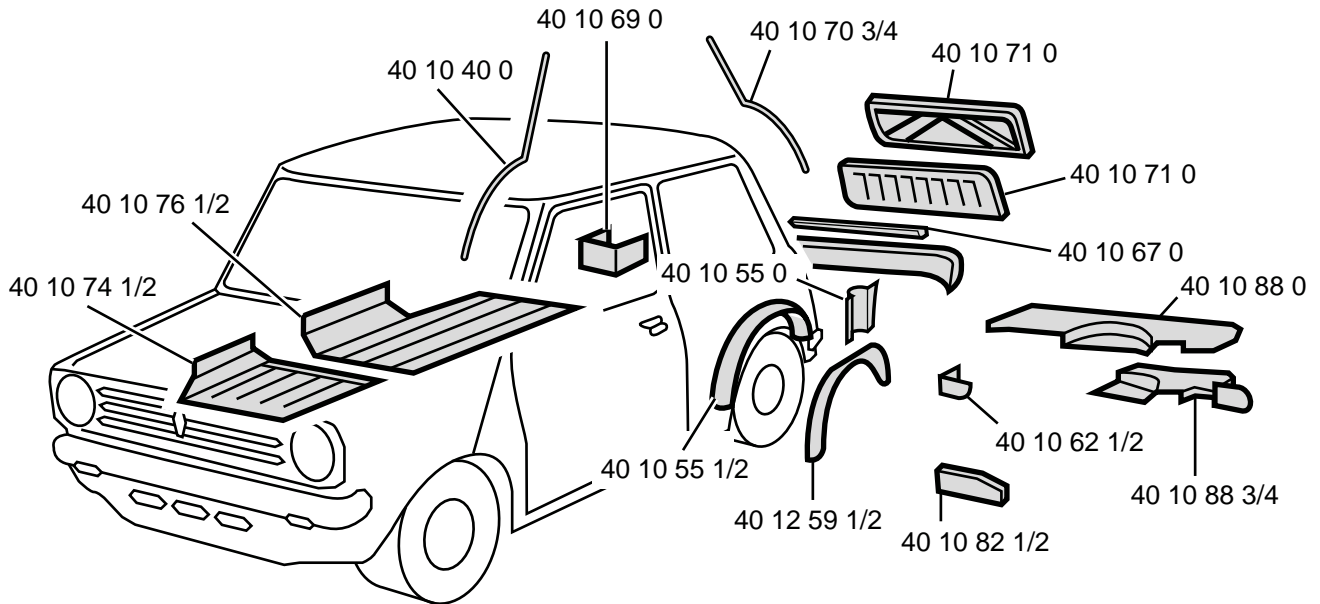
40 10 VAN / TRAVELLER / CLUBMAN

Mounting rail for chrome strip for bonnet	40 10 28 2	Front finishing strip	40 10 40 0
Bonnet, 67- (Not Clubman)	40 10 28 0	Inner door hinge panel	40 10 40 1/2
Bonnet with support for chrome strip (not Clubman)	40 10 28 1	Inner rear wing	40 10 55 1/2
Front wing	40 10 31 1/2	Battery box	40 10 69 0
Repair piece below windscreen	40 10 32 1/2	Front floor well	40 10 74 1/2
Repair piece below windscreen, lower part	40 10 33 1/2	Sub frame mounting panel	40 10 82 1/2
Door hinge panel - External Hinge	40 10 35 1/2	Front bumper, chrome	40 10 90 0
Door hinge panel - Internal Hinge	40 12 35 1/2	Grille, MKII	40 10 99 2
Inner front wing	40 10 38 2		



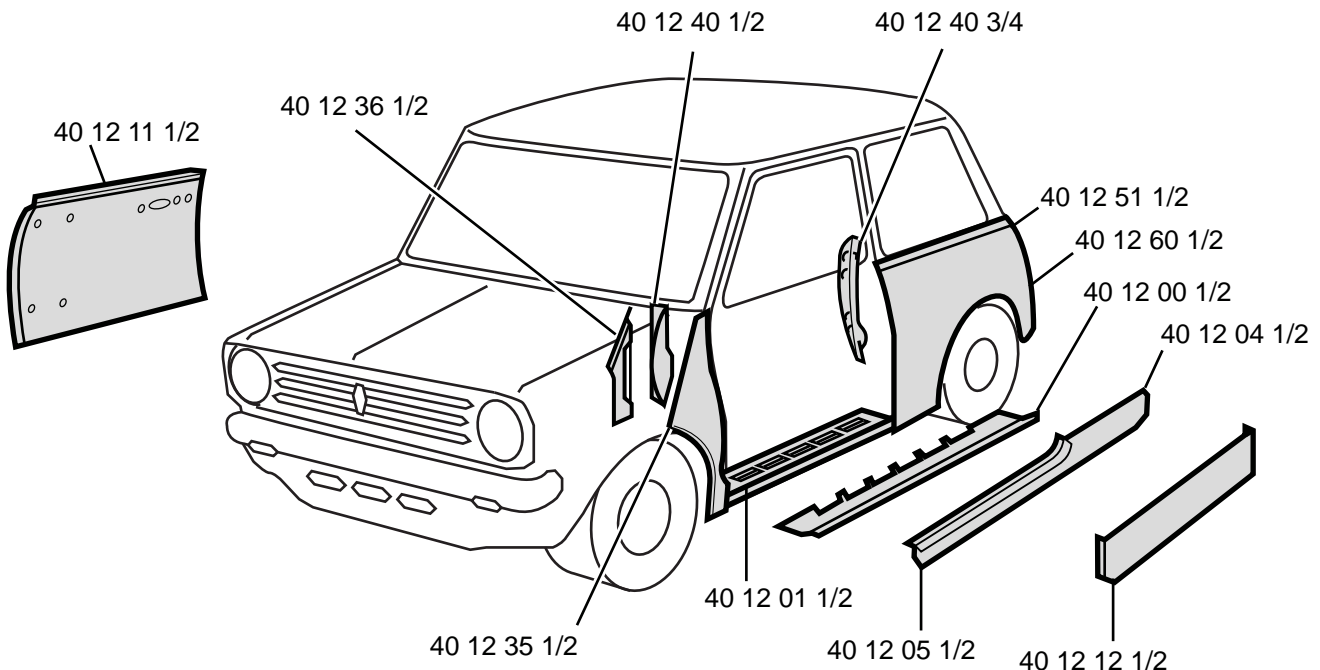
40 10 MINI MKIII / CLUBMAN

Front finishing strip	40 10 40 0	Rear finishing strip	40 10 70 3/4
Rear suspension top	40 10 55 0	Boot lid open frame	40 10 71 0
Inner rear wing	40 10 55 1/2	Boot lid closed frame	40 10 71 1
Rear wheel arch MK III only	40 12 59 1/2	Front footwell	40 10 74 1/2
Inner corner for rear panel	40 10 62 1/2	Rear footwell	40 10 76 1/2
Rear panel, upper part	40 10 67 0	Sub frame mounting panel	40 10 82 1/2
Rear lower valance	40 10 68 0	Boot floor repair panel	40 10 88 0
Battery box	40 10 69 0	Boot floor & side panel	40 10 88 3/4



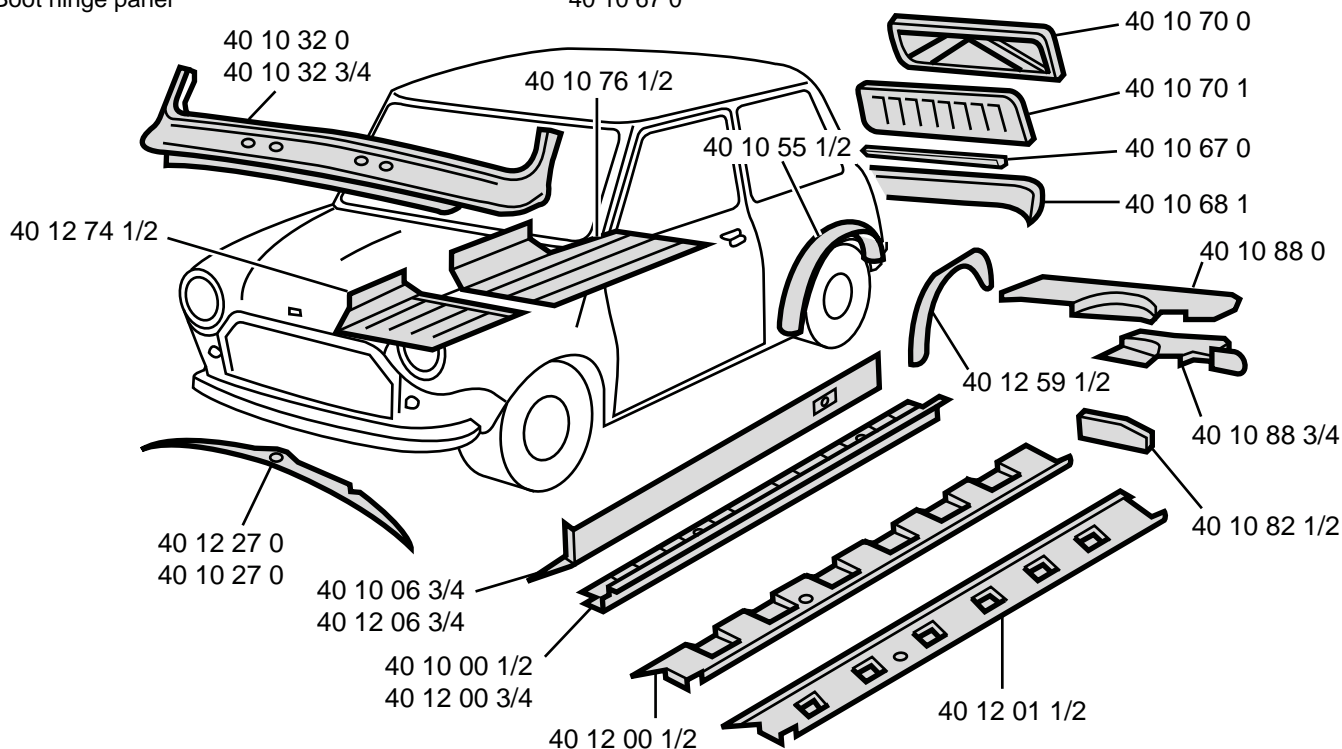
40 10 MINI MKIII / CLUBMAN

Full sill	40 12 00 1/2	Door hinge panel	40 12 35 1/2
Full sill, wide	40 12 01 1/2	Apex backing panel	40 10 36 1/2
Panel between door and RWA	40 12 04 1/2	Inner door hinge panel	40 12 40 1/2
Sill, with side plate	40 12 05 1/2	Inner door hinge panel, complete	40 12 40 3/4
Door skin, complete	40 12 11 1/2	Rear wing	40 12 51 1/2
Door skin, lower part	40 12 12 1/2	Rear lower corner	40 12 60 1/2



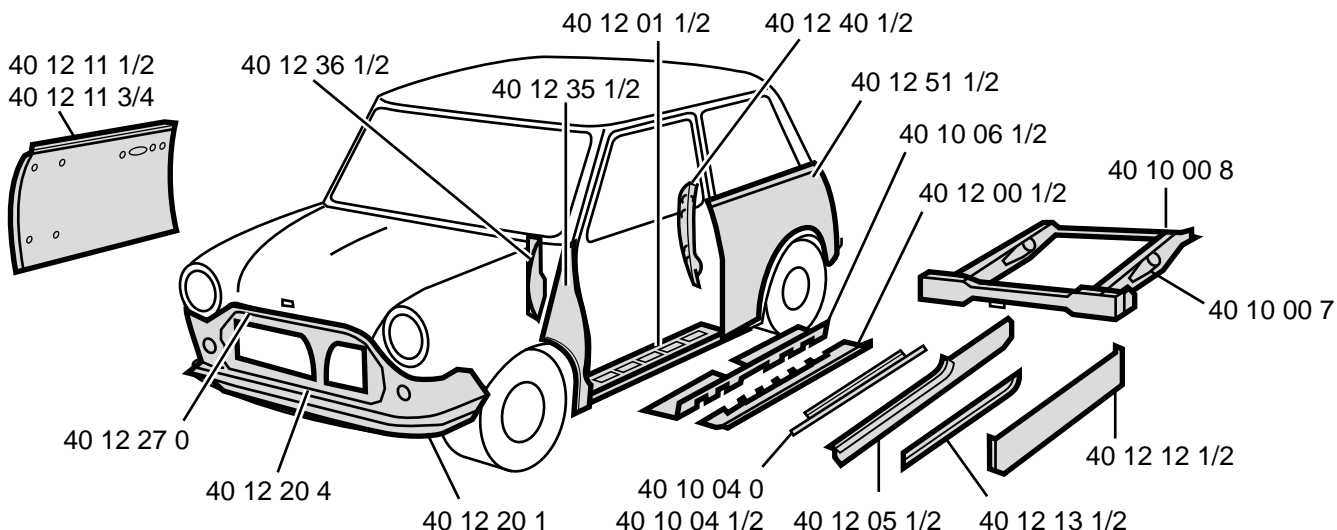
40 10 MINI MKIII / CLUBMAN

Sill as original to 1970	40 10 00 1/2	Rear lower valance + fog lamp fixings	40 10 68 1
Inner sill full length car	40 10 06 3/4	Boot lid open frame	40 10 70 0
Inner sill full length car	40 12 06 3/4	Boot lid closed frame	40 10 70 1
Scuttle panel	40 10 32 0	Rear boot floor	40 10 88 0
Half Scuttle panel	40 10 32 3/4	Half rear boot floor	40 10 88 3/4
Front floor well injection	40 12 74 1/2	Sill as original 1970 on	40 12 00 3/4
Rear floor pan	40 10 76 1/2	Narrow sill 1970 on	40 10 00 1/2
Inner rear wing complete	40 10 55 1/2	Wide sill 1970 on	40 12 01 1/2
Boot hinge panel	40 10 67 0		



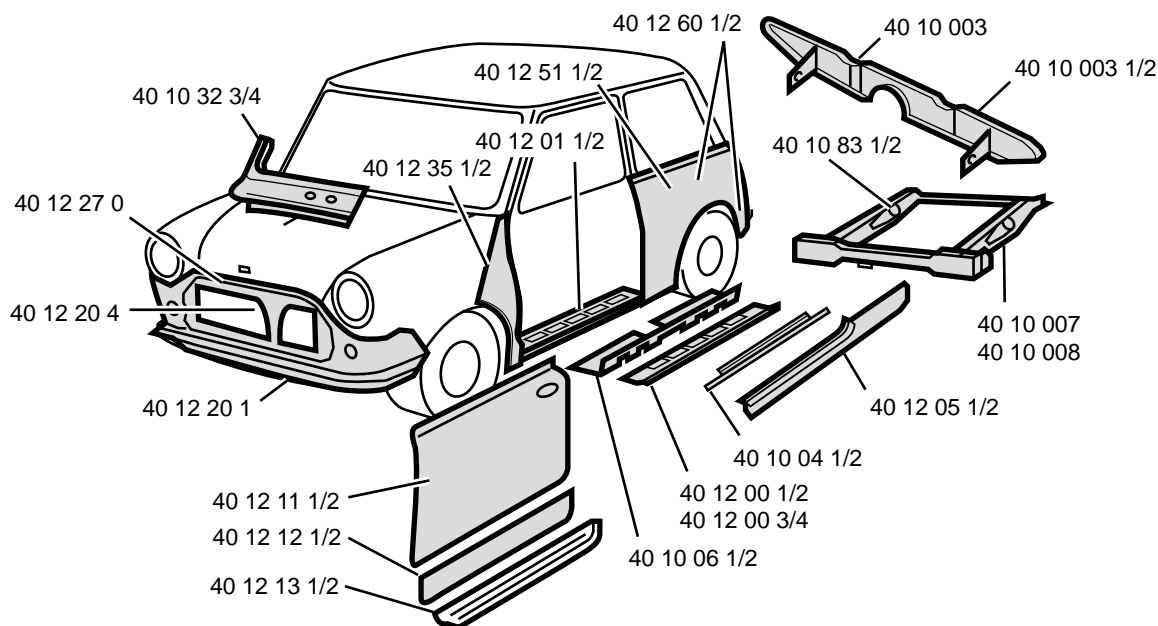
40 10 MINI MK III / MINI 97 ONW

Full sill	40 12 00 1/2	Apex backing panel MK2/3	40 12 36 1/2
Full sill, wide	40 12 01 1/2	Inner door hinge panel	40 12 40 1/2
Sill, with side plate	40 12 05 1/2	Inner door hinge panel, complete	40 12 51 1/2
Door skin	40 12 11 1/2	Rear subframe, dry	40 10 00 7
Door skin aluminium	40 12 11 3/4	Rear subframe, dry 91 onw	40 10 00 8
Door skin bottom outer MKIII	40 12 12 1/2	Door step basic	40 10 04 0
Front panel 1997 ON (Rover)	40 12 20 1	Door step section, tailored	40 10 04 1/2
Slam panel 1997 ON (Rover)	40 12 27 0	Inner sill	40 10 06 1/2
Apex panel - Internal Hinges	40 12 35 1/2	Inner door bottom MKIII only	40 12 13 1/2
Centre strut front panel 1997 ON (Rover)	40 12 20 4		



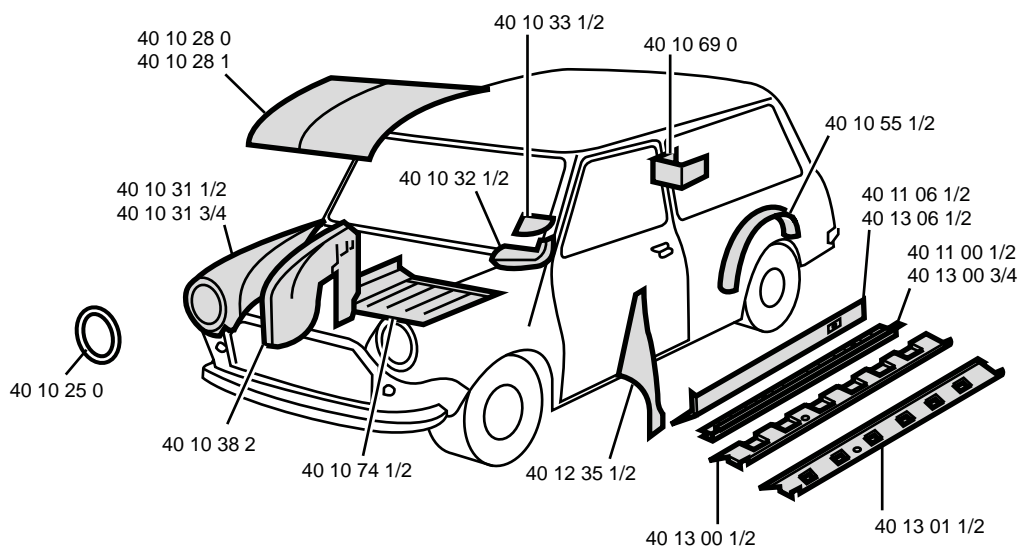
40 10 MINI CLUBMAN / 1997 ON

Subframe mounting panel	40 10 003	Door step & part rear wing MK3	40 12 05 1/2
Subframe mounting panel half	40 10 003 1/2	Door skin MK3	40 12 11 1/2
Subframe dry to 1991	40 10 00 7	Door skin MK3 aluminium	40 12 11 1/2
Subframe wet 1991 on	40 10 008	Door skin MK3 lower part	40 12 12 1/2
Door step tailored	40 10 04 1/2	Door skin inner bottom	40 12 13 1/2
Inner sill tailored	40 10 06 1/2	Front panel 1997 ON (Rover)	40 12 20 1
Scuttle panel half	40 10 32 3/4	Front panel Centre Strut 1997 ON (Rover)	40 12 20 04
Rear subframe bottom plate	40 10 83 1/2	Rover Mini slam panel	40 12 27 0
Narrow sill MK3	40 12 00 1/2	Apex panel MK3	40 12 35 1/2
Sill as original	40 12 00 3/4	Side panel	40 12 51 1/2
Wide sill MK3	40 12 01 1/2	Side lower corner panel	40 12 60 1/2



40 10 MINI VAN 1974 ONW. TRAVELLER / CLUBMAN

Headlamp ring	40 10 25 0	Battery box	40 10 69 0
Bonnet - Van only	40 10 28 0	Floor Pan	40 10 74 1/2
Bonnet with chrome mounting support - Van only	40 10 28 1	Inner sill full length MK1	40 11 06 1/2
Front wing - Van only	40 10 31 1/2	Inner sill full length MK2	40 13 06 1/2
Front wing with side repeater hole - Van only	40 10 31 3/4	Sill MK1	40 11 00 1/2
Scuttle panel side	40 10 32 1/2	Sill as original MK2	40 13 00 3/4
Scuttle close panel	40 10 33 1/2	Sill narrow MK2	40 13 00 1/2
Inner front wing	40 10 38 0	Sill extra wide MK2	40 13 01 1/2





MAGNUM CAR PANELS LTD

Graham Works Units 1-2 Regent Street

Rochdale Lancashire OL12 0HQ

Tel: +44(0)1706 359666

Fax: +44(0)1706 342704

Email: sales@magnumcarpanels.co.uk

www.magnumcarpanels.co.uk